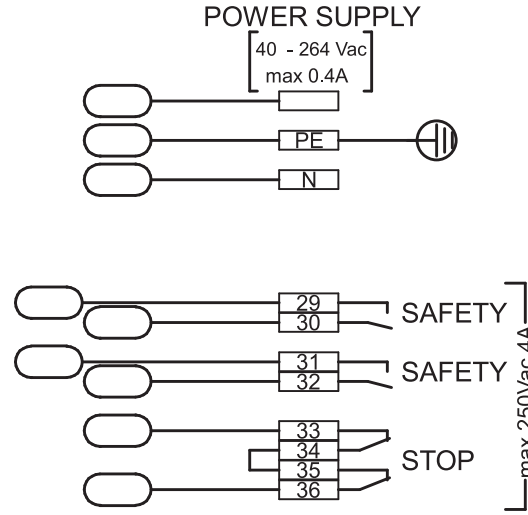
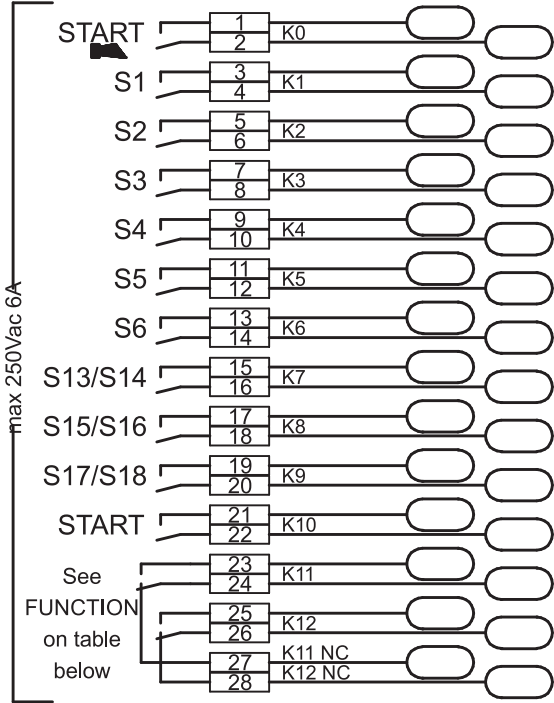


# A8-2-L1

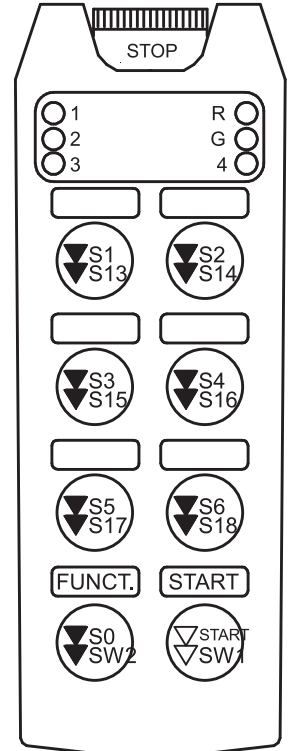


## AirLB12AC



THE STOP RELAY IS THE PRIMARY SAFETY ELEMENT, AND MUST BE CONNECTED TO THE MAIN CONTACTOR OR SIMILAR.

THE SAFETY RELAY MUST BE CONNECTED IN SERIES WITH THE SUPPLY TO ALL MOTION OUTPUTS



- ▼ ACTIVATES SAFETY RELAY
- ▽ DOES NOT ACTIVATE SAFETY RELAY
- ▽ LATCHING COMMAND - DOES NOT ACTIVATE SAFETY RELAY

| FACTORY SETTINGS             |  |  |   |
|------------------------------|--|--|---|
| FUNCTION                     | <input checked="" type="checkbox"/> P1   | <input type="checkbox"/> P2A<br><input type="checkbox"/> P2B | <input type="checkbox"/> P3 <input type="checkbox"/> P4   |
|                              | K11=ENA<br>K12=S0<br>momentary   | K11=ENA<br>K12=S0<br>latched                                 | K11 / K12<br>S0<br>sel. 1/2<br>sel.1+2/1/2  |
| PAIR                         | <input checked="" type="checkbox"/> 1.0  | <input type="checkbox"/> 2.0                                 | <input type="checkbox"/> 2.1  |
| PIN Start UP                 | <input checked="" type="checkbox"/> ENABLE <input type="checkbox"/> DISABLE  |  |   |
| PIN CODE                     | 1 START  | 2 S0   | 3 START   |
| Switch-OFF                   | <input type="checkbox"/> OFF   | <input type="checkbox"/> 2'                                  | <input checked="" type="checkbox"/> 5' <input type="checkbox"/> 10'   |
| RF Power                     | <input type="checkbox"/> Low   | <input checked="" type="checkbox"/> Norm.                    | <input type="checkbox"/> High <input type="checkbox"/> Max  |
| Range limiting               | <input checked="" type="checkbox"/> OFF  | <input type="checkbox"/> Area1                               | <input type="checkbox"/> Area2 <input type="checkbox"/> Area3   |
| Low pwr start-up             | <input checked="" type="checkbox"/> OFF  | <input type="checkbox"/> Sect.1                              | <input type="checkbox"/> Sect.2 <input type="checkbox"/> Sect.3   |
| Clear Ch. Level              | <input checked="" type="checkbox"/> Norm.  | <input type="checkbox"/> High                                | <input type="checkbox"/> None   |
| Receiver antenna             | <input type="checkbox"/> ENABLE <input checked="" type="checkbox"/> DISABLE  |  |   |
| Dip switch                   | Transmitting Unit  |  | Receiving Unit  |
| 1 2                          | 1 2  | 1 2  | 1 2   |
| <input type="checkbox"/> ON  | 915-928Mhz   | Reserved   | 915-928Mhz MSC  |
| <input type="checkbox"/> OFF | 433-434Mhz   | Reserved   | 433-434Mhz Disable  |
| Radio mode                   | <input checked="" type="checkbox"/> AUTO <input type="checkbox"/> MANUAL   |  |   |
| Bank Group                   | <input checked="" type="checkbox"/> 0  | <input type="checkbox"/> 1                                   | <input type="checkbox"/> 2 <input type="checkbox"/> 3 <input type="checkbox"/> 4 <input type="checkbox"/> 5 <input type="checkbox"/> 6 <input type="checkbox"/> 7 |
| Channel Bank                 | <input checked="" type="checkbox"/> 0 <input type="checkbox"/> 1 <input type="checkbox"/> 2 <input type="checkbox"/> 3 |  |   |
| Logic Channel                | <input checked="" type="checkbox"/> 0  | <input type="checkbox"/> 1                                   | <input type="checkbox"/> 2 <input type="checkbox"/> 3 <input type="checkbox"/> 4 <input type="checkbox"/> 5 <input type="checkbox"/> 6 <input type="checkbox"/> 7 |
| Button delay                 | <input checked="" type="checkbox"/> OFF  | <input type="checkbox"/> 0.5S                                | <input type="checkbox"/> 1S <input type="checkbox"/> 1.5S   |
| All latched relay            | <input type="checkbox"/> ENABLE <input checked="" type="checkbox"/> DISABLE  |  |   |
| Data Log Manag.              | <input type="checkbox"/> ON <input checked="" type="checkbox"/> OFF  |  |   |
| Service Control              | <input checked="" type="checkbox"/> ON <input type="checkbox"/> OFF  |  |   |
| CANopen                      | <input type="checkbox"/> ON <input checked="" type="checkbox"/> OFF  |  |   |
| Output configurations        | <input checked="" type="checkbox"/> ENABLE <input type="checkbox"/> DISABLE  |  |   |
|                              | Programming file: LD00002-*.par  |  |   |

| INSTALLER SETTINGS           |   |  |   |
|------------------------------|---|--|---|
| FUNCTION                     | <input type="checkbox"/> P1   | <input type="checkbox"/> P2A<br><input type="checkbox"/> P2B | <input type="checkbox"/> P3 <input type="checkbox"/> P4   |
|                              | K11=ENA<br>K12=S0<br>momentary  | K11=ENA<br>K12=S0<br>latched                                 | K11 / K12<br>S0<br>sel. 1/2<br>sel.1+2/1/2  |
| PIN Start UP                 | <input type="checkbox"/> ENABLE <input type="checkbox"/> DISABLE  |  |   |
| PIN CODE                     | 1   | 2  | 3   |
| Switch-OFF                   | <input type="checkbox"/> OFF  | <input type="checkbox"/> 2'                                  | <input type="checkbox"/> 5' <input type="checkbox"/> 10'  |
| RF Power                     | <input type="checkbox"/> Low  | <input type="checkbox"/> Norm.                               | <input type="checkbox"/> High <input type="checkbox"/> Max  |
| Range limiting               | <input type="checkbox"/> OFF  | <input type="checkbox"/> Area1                               | <input type="checkbox"/> Area2 <input type="checkbox"/> Area3   |
| Low pwr start-up             | <input type="checkbox"/> OFF  | <input type="checkbox"/> Sect.1                              | <input type="checkbox"/> Sect.2 <input type="checkbox"/> Sect.3   |
| Clear Ch. Level              | <input type="checkbox"/> Norm.  | <input type="checkbox"/> High                                | <input type="checkbox"/> None   |
| Receiver antenna             | <input type="checkbox"/> ENABLE <input type="checkbox"/> DISABLE  |  |   |
| Dip switch                   | Transmitting Unit   |  | Receiving Unit  |
| 1 2                          | 1 2   | 1 2  | 1 2   |
| <input type="checkbox"/> ON  | 915-928Mhz  | Reserved   | 915-928Mhz MSC  |
| <input type="checkbox"/> OFF | 433-434Mhz  | Reserved   | 433-434Mhz Disable  |
| Radio mode                   | <input type="checkbox"/> AUTO <input type="checkbox"/> MANUAL   |  |   |
| Bank Group                   | <input type="checkbox"/> 0  | <input type="checkbox"/> 1                                   | <input type="checkbox"/> 2 <input type="checkbox"/> 3 <input type="checkbox"/> 4 <input type="checkbox"/> 5 <input type="checkbox"/> 6 <input type="checkbox"/> 7 |
| Channel Bank                 | <input type="checkbox"/> 0 <input type="checkbox"/> 1 <input type="checkbox"/> 2 <input type="checkbox"/> 3 |  |   |
| Logic Channel                | <input type="checkbox"/> 0  | <input type="checkbox"/> 1                                   | <input type="checkbox"/> 2 <input type="checkbox"/> 3 <input type="checkbox"/> 4 <input type="checkbox"/> 5 <input type="checkbox"/> 6 <input type="checkbox"/> 7 |
| Button delay                 | <input type="checkbox"/> OFF  | <input type="checkbox"/> 0.5S                                | <input type="checkbox"/> 1S <input type="checkbox"/> 1.5S   |
| All latched relay            | <input type="checkbox"/> ENABLE <input type="checkbox"/> DISABLE  |  |   |



PO Box 5738  
Brendale DC QLD 4500  
Tel: 07 3889 9329  
Fax: 07 3889 9330  
support@industryiq.com.au

SERIAL NUMBER

REV DRAWN

A MDC 28/11/13