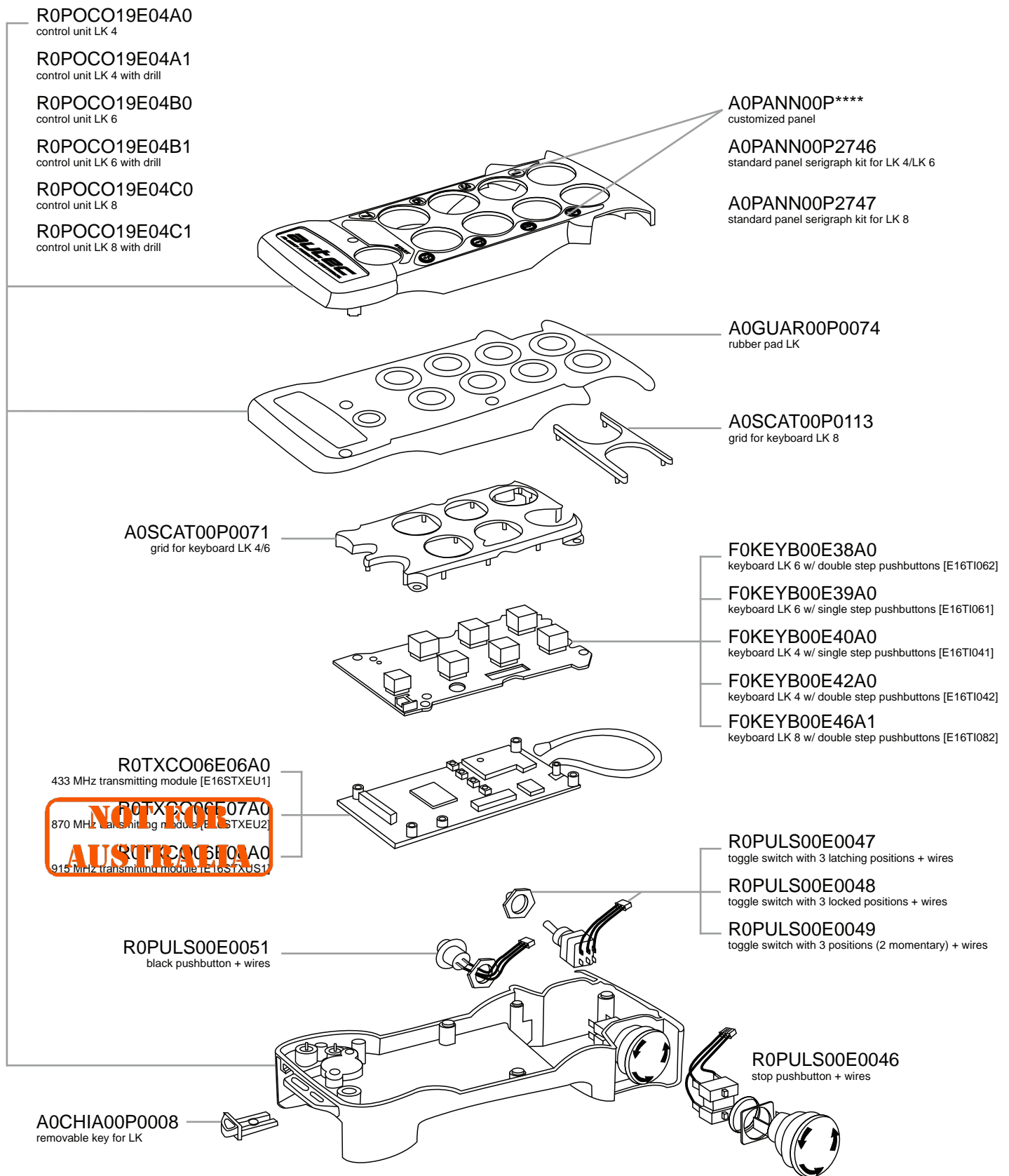


LIGHT SERIES

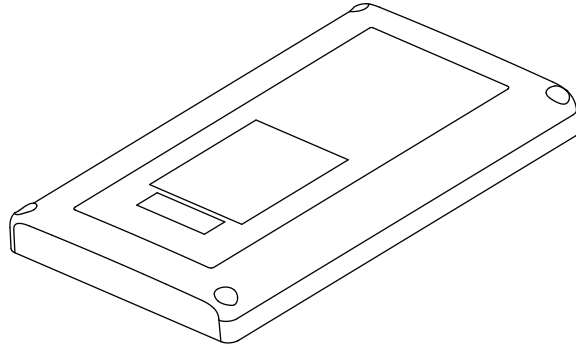
SPARE PARTS CATALOGUE

Spare parts of LK transmitting unit



NOT FOR AUSTRALIA

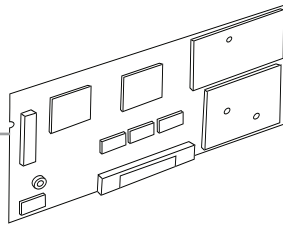
Spare parts of receiving unit A



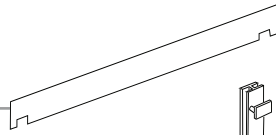
R0RXDE06E06A0
433 MHz receiving module [E16SRXEU1]

R0RXDE06E07A0
870 MHz receiving module [E16SRXEU2]

R0RXDE06E10A0
915 MHz receiving module [E16SRXUS1]

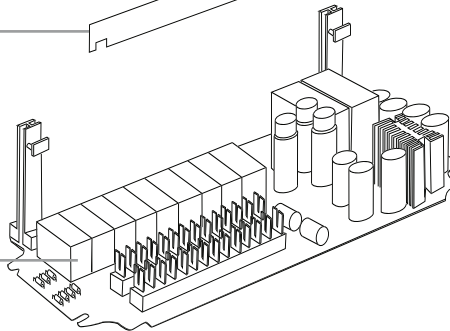


A0STAF00P0013
locking rod



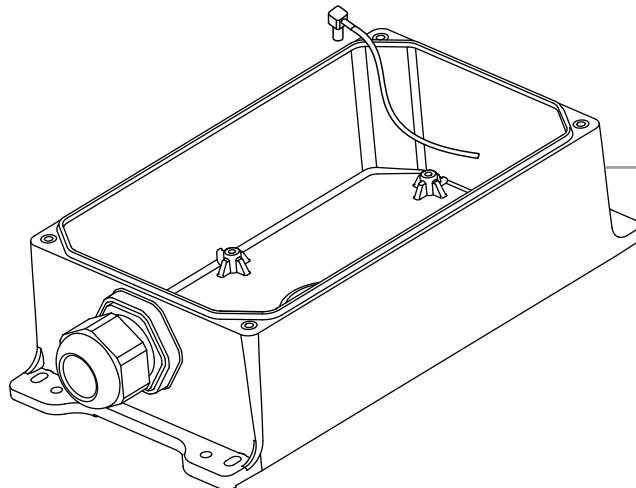
F0BASE00E52A0
mother board for 10-command AC receiving unit [E16B10AC]

F0BASE00E53A0
mother board for 10-command DC receiving unit [E16B10DC]

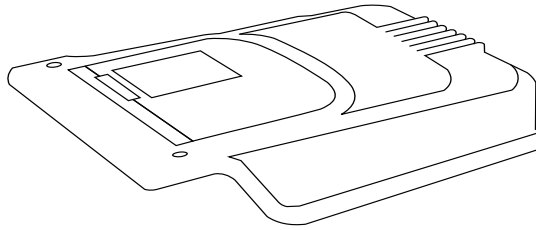


R0CASS00P20A0
casing of receiving unit A with cable gland

R0CASS00P21A0
casing of receiving unit A with compact 16-pole plug



Spare parts for receiving unit B



R0RXDE06E06A0
433 MHz receiving module [E16SRXEU1]

R0RXDE06E07A0
370 MHz receiving module [E16SRXEU2]

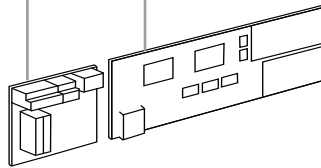
R0RXDE06E08A0
915 MHz receiving module [E16SRXEU3]



F0ESBA*****

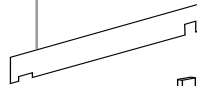
GOESBA*****

optional card
(please report the radio remote control serial number
or the description provided on the component)



R0CASS00P****

A0STAF00P0013
locking rod



F0BASE00E48A0
mother board for 16-command AC receiving unit [E16B16AC]

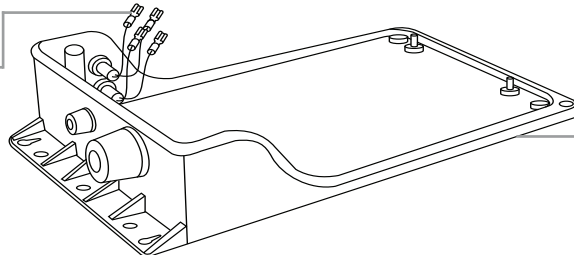
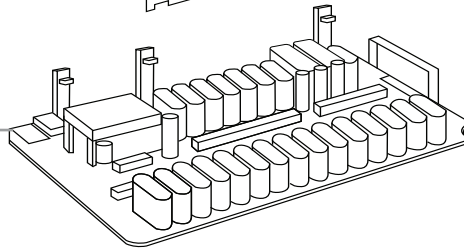
F0BASE00E49A0
mother board for 22-command AC receiving unit [E16B22AC]

F0BASE00E50A0
mother board for 22-command DC 24 receiving unit [E16B22DC]

F0BASE00E51A0
mother board for 22-command DC 12 receiving unit [E16B22DC]

R0SPIE00E01A0
green LED 24V with 12 cm cable

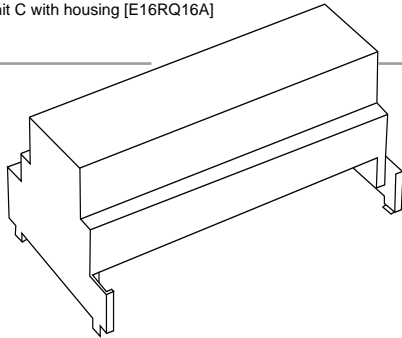
R0SPIE00E02A0
green LED 12V with 12 cm cable



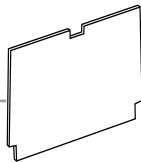
Spare parts for receiving unit C

F0BASE00E54A0

mother board for receiving unit C with housing [E16RQ16A]



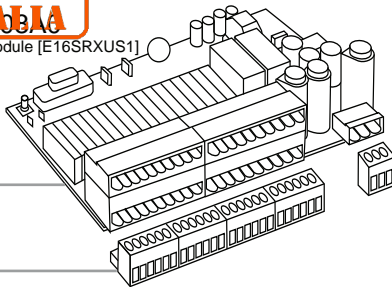
F0CHAB02E****
interface card for programming



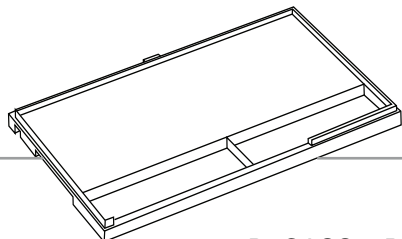
R0RXDE06E06A0
433 MHz receiving module [E16SRXEU1]

R0RXDE06E07A0
870 MHz receiving module [E16SRXEU2]

R0RXDE06E08A0
915 MHz receiving module [E16SRXUS1]



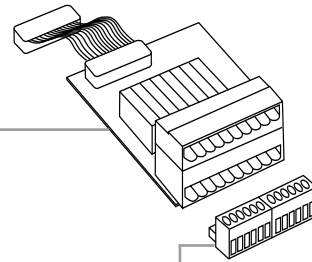
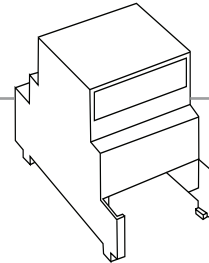
G0MORS00E01A0
terminal kit for receiving unit C



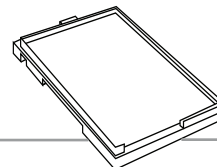
R0CASS01P01A0
housing for receiving unit C

G0ESBA00E34A0

mother board extension for receiving unit C

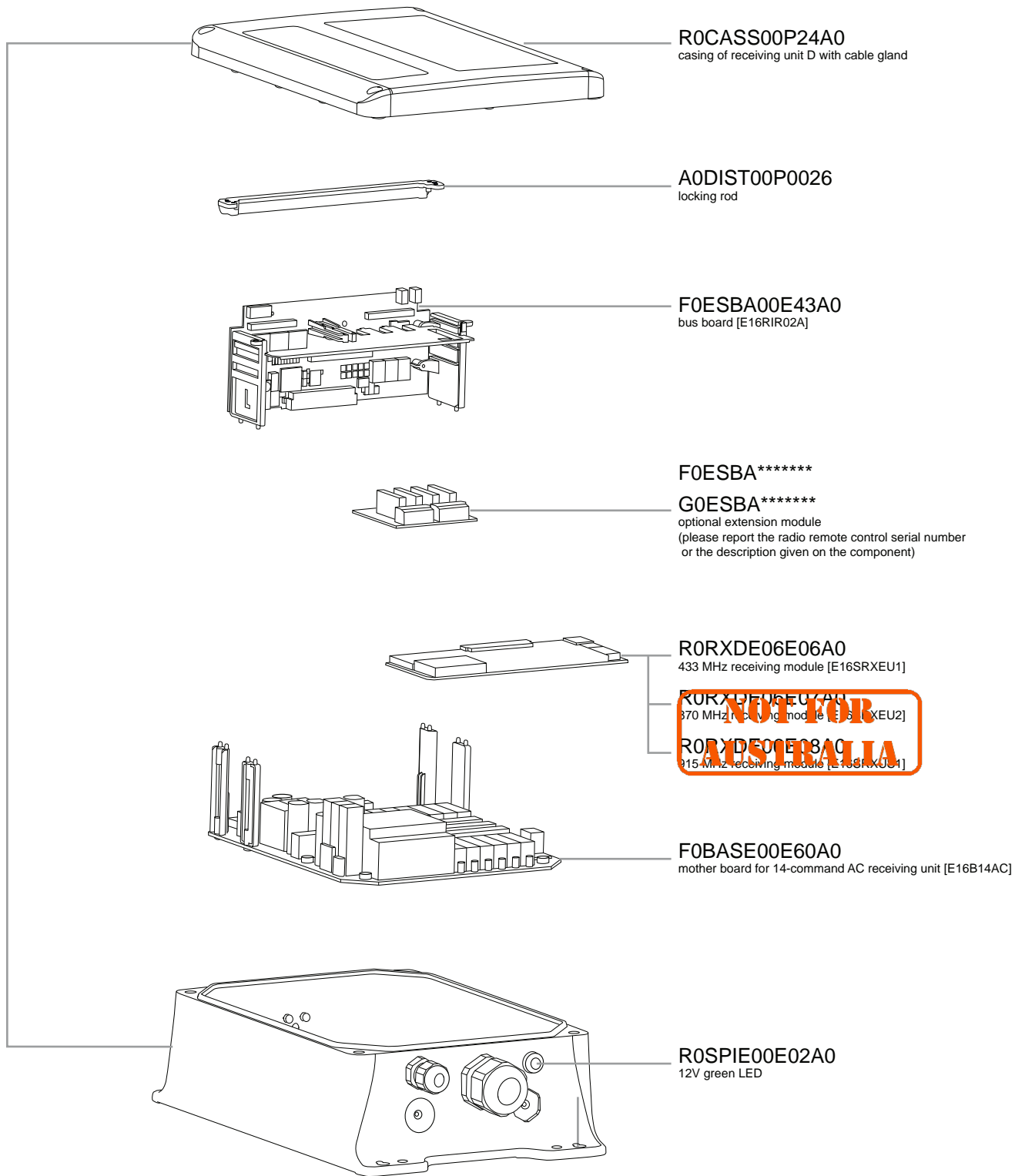


G0MORS00E02A0
terminal kit for extension of receiving unit C



R0CASS01P02A0
housing for extension of receiving unit C

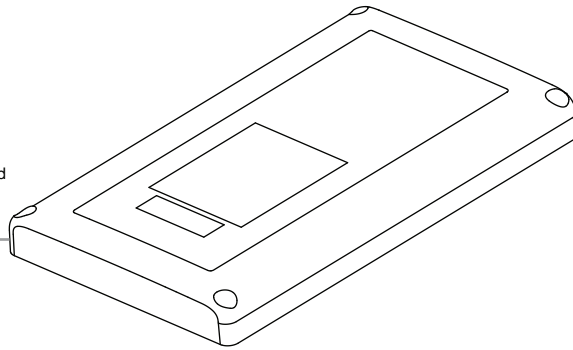
Spare parts for receiving unit D



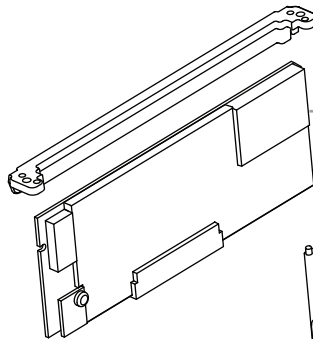
NOT FOR AUSTRALIA

Spare parts for receiving unit F

R0CASS00P27A0
casing for receiving unit F with cable gland

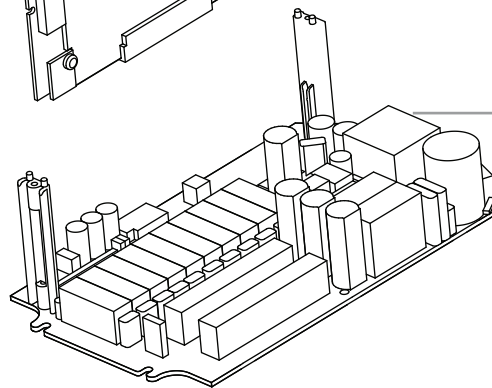


A0DIST00P0026
locking rod

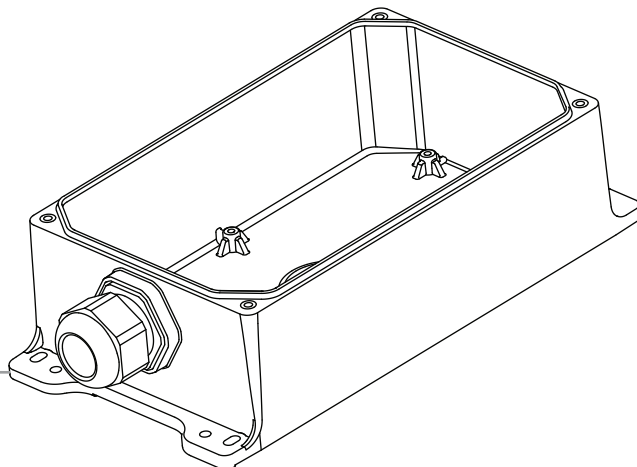


R0RXDE06E06A0
433 MHz receiving module [E16SRXEU1]

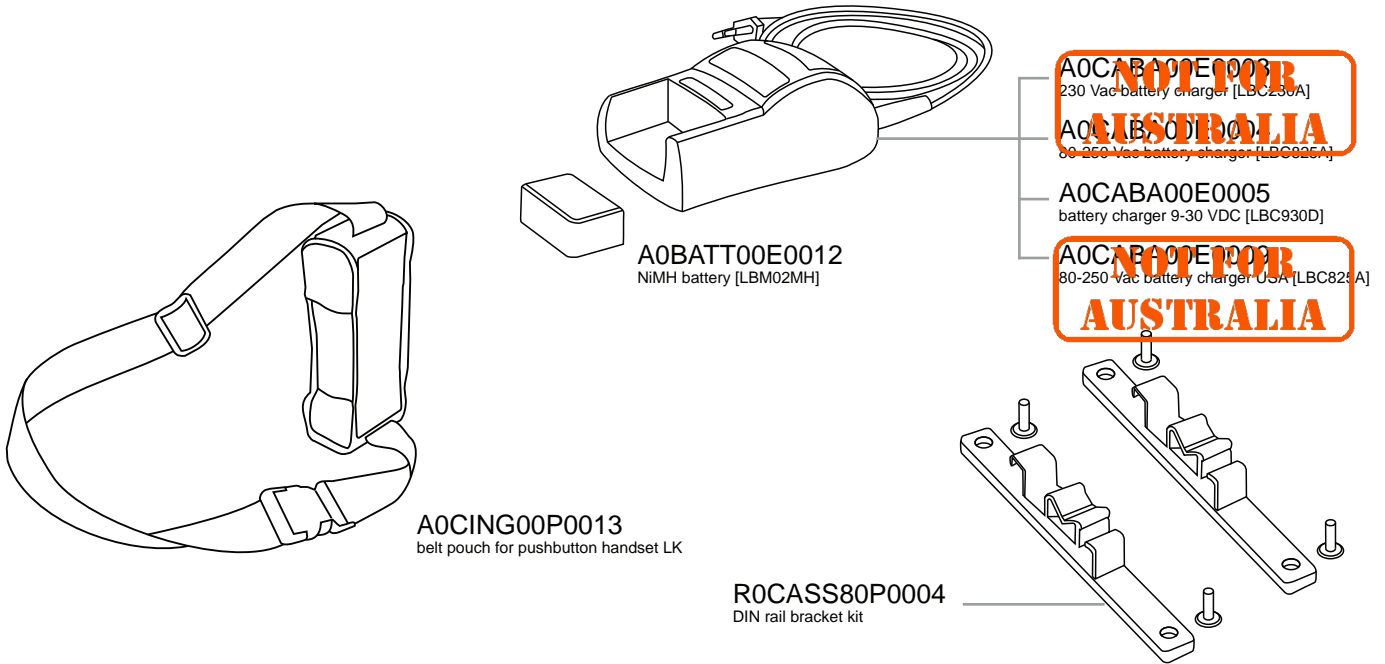
R0RXDE06E07A0
370 MHz receiving module [E16SRXEU2]



F0BASE00E61A0
mother board for AC receiving unit [E16B11AC]

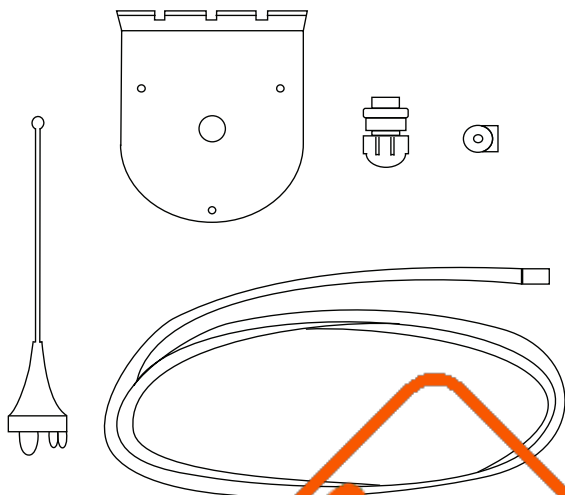


Fittings spare parts

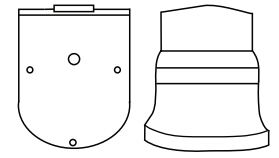


NOT FOR AUSTRALIA

NOT FOR AUSTRALIA



- FOANTE00E33A0
433 MHz antenna with 2.5 m cable (for receiving unit C)
- FOANTE00E24A0
870 MHz antenna with 2.5 m cable (for receiving unit C)
- FOANTE00E33A0
433 MHz antenna with 5 m cable (for receiving unit C)
- FOANTE00E38A0
870 MHz antenna with 5 m cable (for receiving unit C)
- GOANTE00E10A0
433 MHz antenna with 5 m cable (BNC) [KA-05]
- GOANTE00E28A0
433 MHz antenna with 1 m cable (BNC) [KA-01]
- GOANTE00E29A0
433 MHz antenna with 5 m cable (for receiving unit B)
- GOANTE00E30A0
870 MHz antenna with 5 m cable (for receiving unit B)
- GOANTE00E31A0
870 MHz antenna with 5 m cable (BNC) [KA-05]

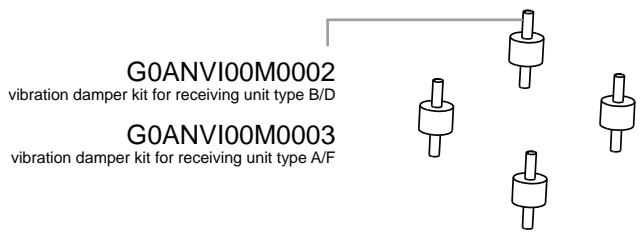


G0LAMP00E04A0
48 Vac blinker kit with bracket



FOANTE00E24A0
433 MHz receiving antenna [AT400]

FOANTE00E32A0
870 MHz - 915 MHz receiving antenna



GOANVI00M0002
vibration damper kit for receiving unit type B/D

GOANVI00M0003
vibration damper kit for receiving unit type A/F