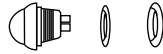


E16 SERIES

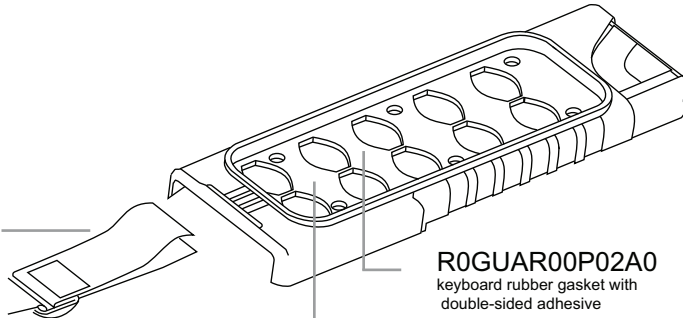
SPARE PARTS CATALOGUE

Spare parts of Vega E transmitting unit

R0PULS00E0044
green start pushbutton



A0CING00P0002
shoulder harness



R0GUAR00P02A0
keyboard rubber gasket with
double-sided adhesive

A0PANN00P****
customised panel

R0PANN00P06A0
panels + grid + symbol label

F0KEYB00E28A0
keyboard for Vega E T16/C16 [E16T1A2A]

F0KEYB00E37A0
keyboard for Vega E C22/S22 [E16T1B2A]

F0KEYB00E43A0
programmable keyboard for Vega E [E16T1C2A]

R0TXCO06E06A0
433 MHz transmitting module [E16STXEU1]

R0TXCO06E07A0
870 MHz transmitting module [E16STXEU2]

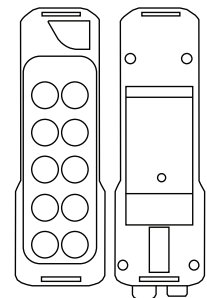


R0SCAT00P08A0
control unit Vega E T16/C16

R0SCAT00P08B0
control unit Vega E C22

R0SCAT00P17A0
control unit Vega E S22

G0CONT00E01A0
battery housing contact kit



R0PULS00E0012
stop pushbutton + contact

F0POCO17E01A0
wired control unit Vega E T16/C16

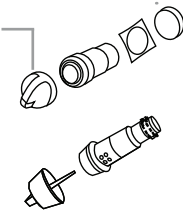
F0POCO17E02A0
wired control unit Vega E C22

F0POCO17E03A0
wired control unit Vega E S22

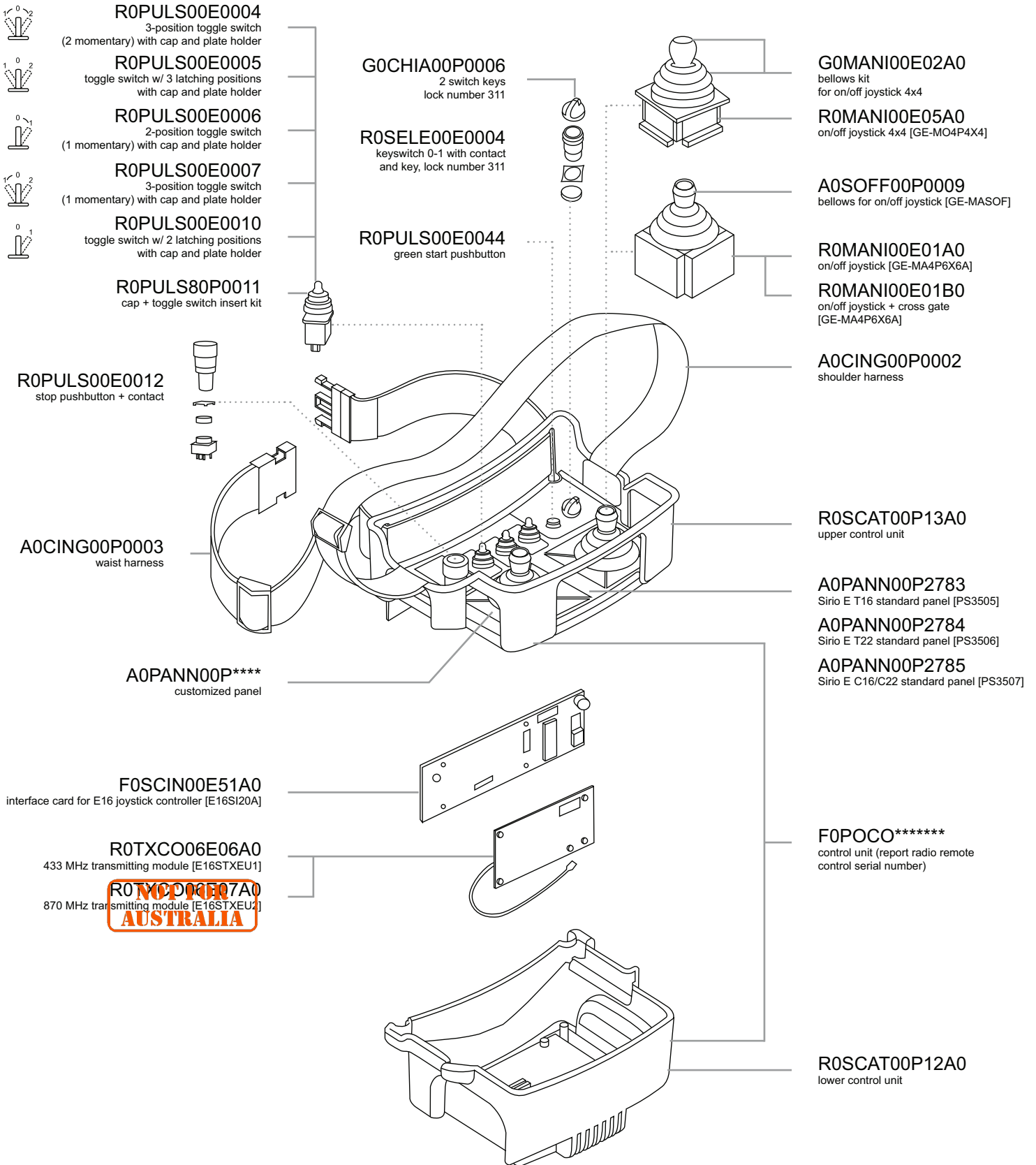
G0CHIA00P0006
2 selector keys, lock number 311

R0SELE00E0004
keyswitch 0-1 with contact
and key, lock number 311

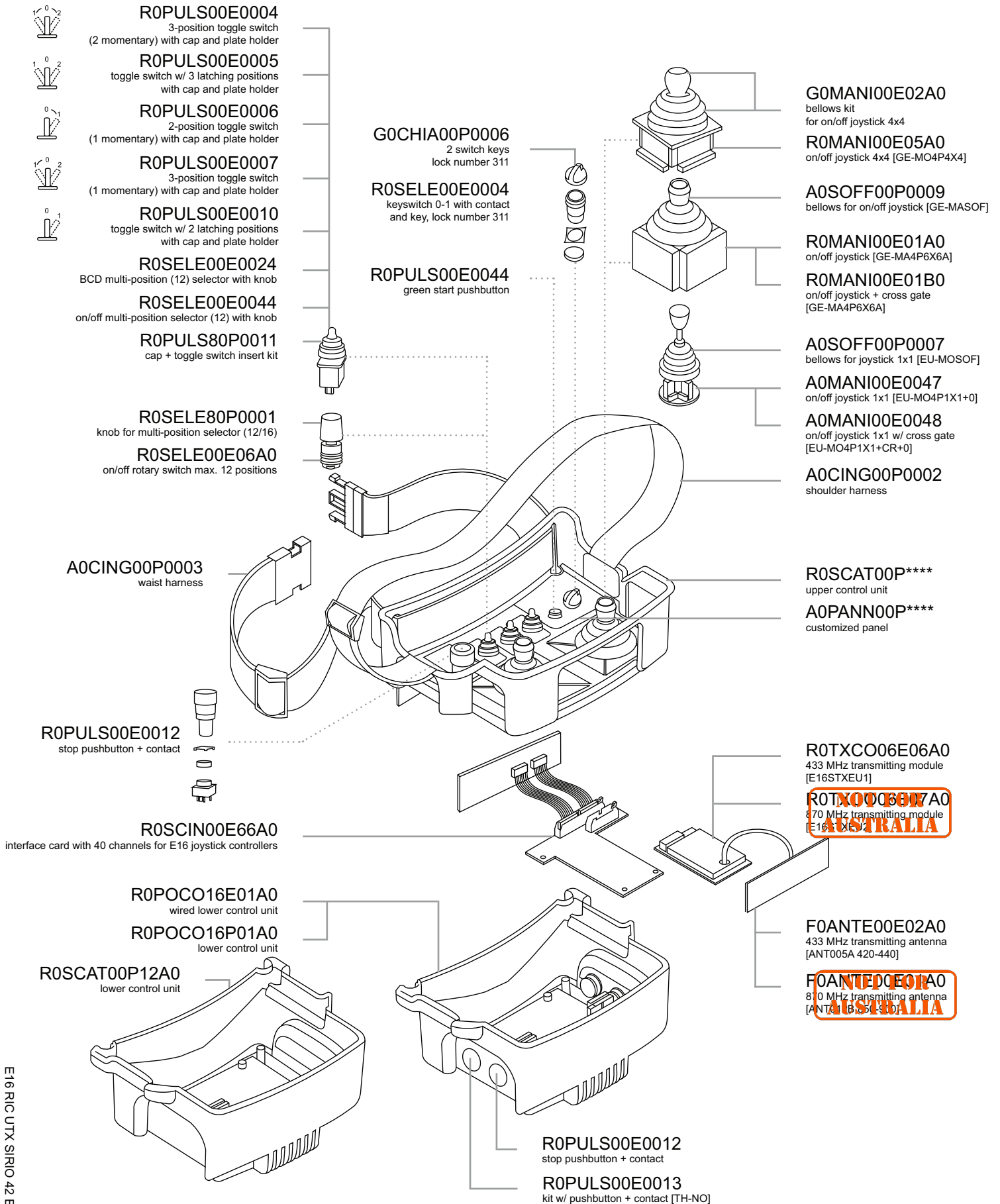
R0SELE00E0003
4-position keyswitch (A/A + B/B)



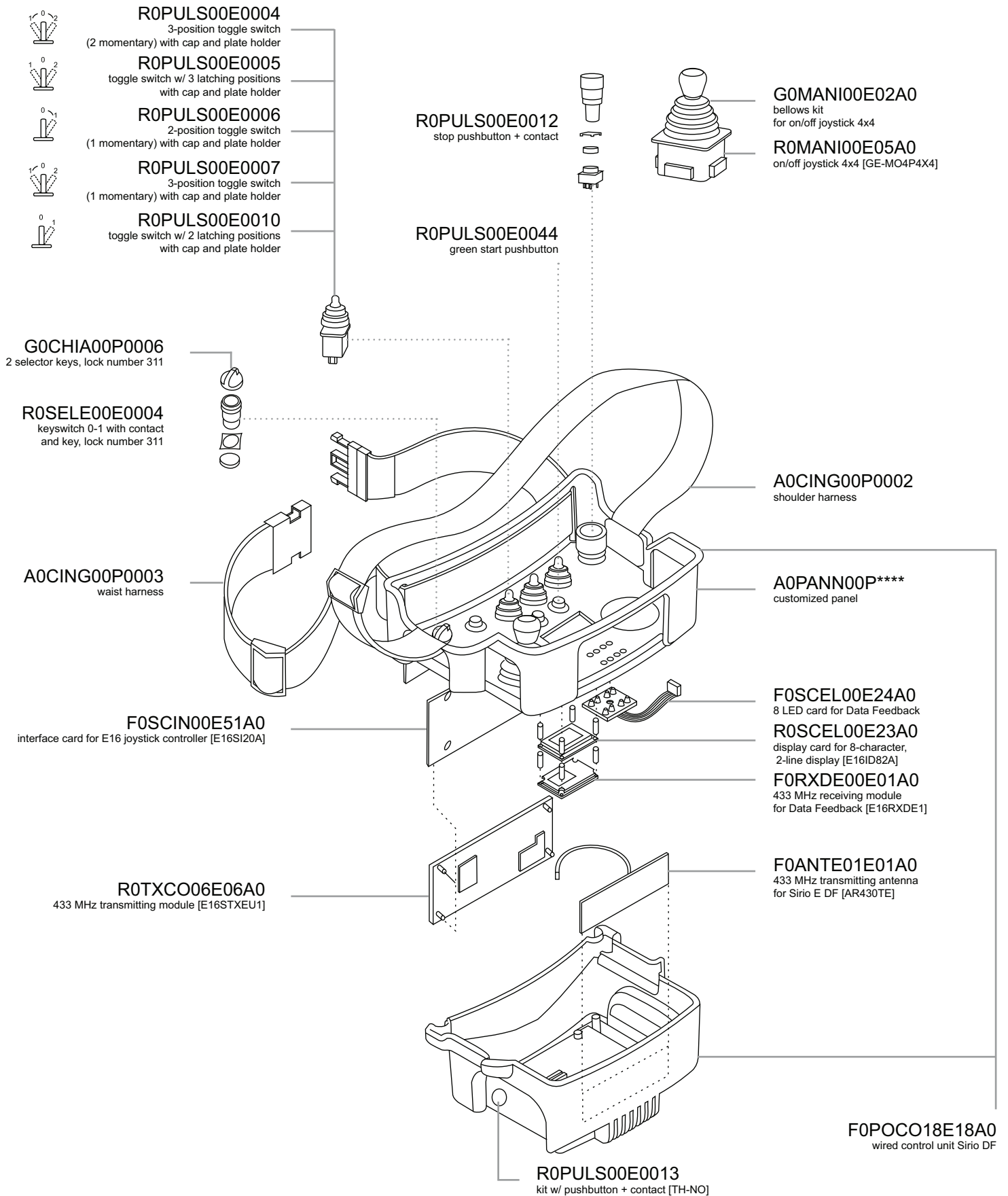
Spare parts of Sirio E transmitting unit



Spare parts of Sirio 42 transmitting unit

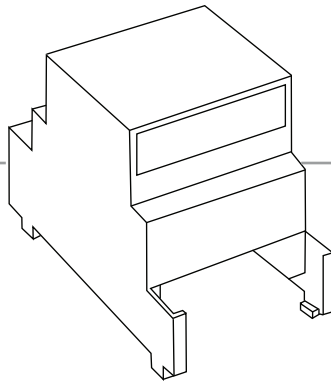


Spare parts of Sirio DF transmitting unit

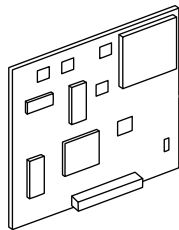


Spare parts of DF transmitter

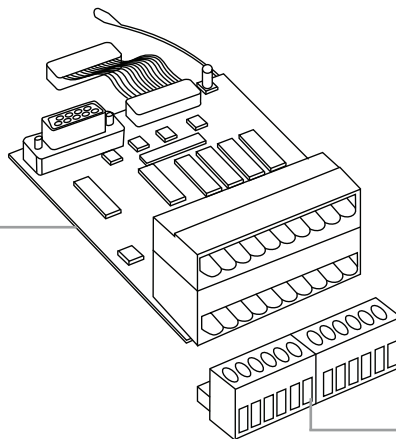
F0BASE00E57A0
Data Feedback transmitter mother board



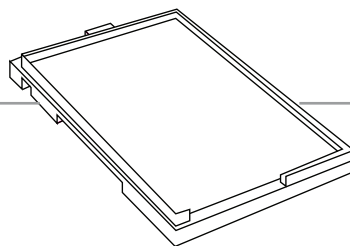
R0CASS01P04A0
Data Feedback transmitter housing



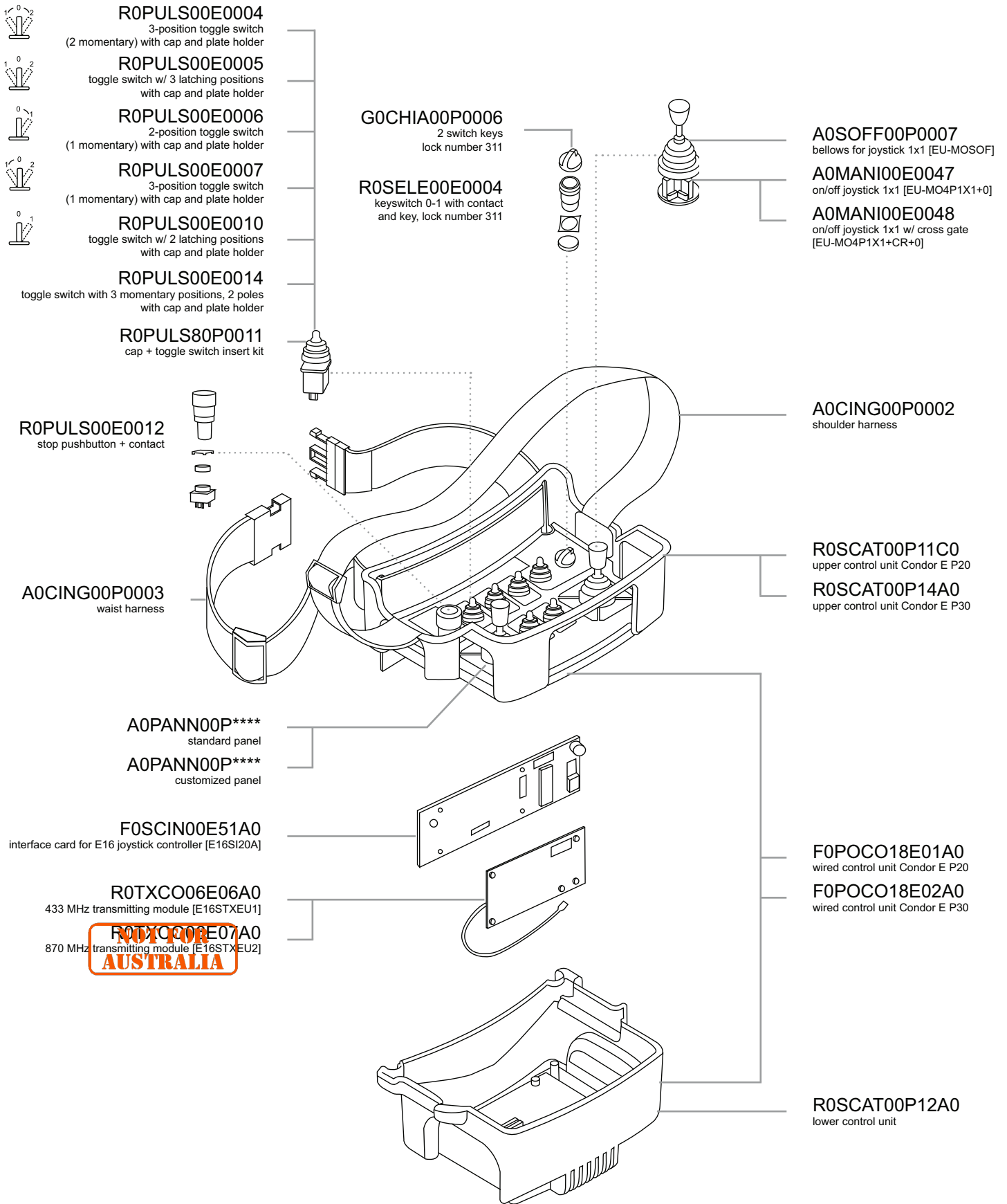
F0TXCO00E27A0
433 MHz Data Feedback transmitting module [E16TXDE1]



G0MORS00E03A0
terminal kit for Data Feedback transmitting unit

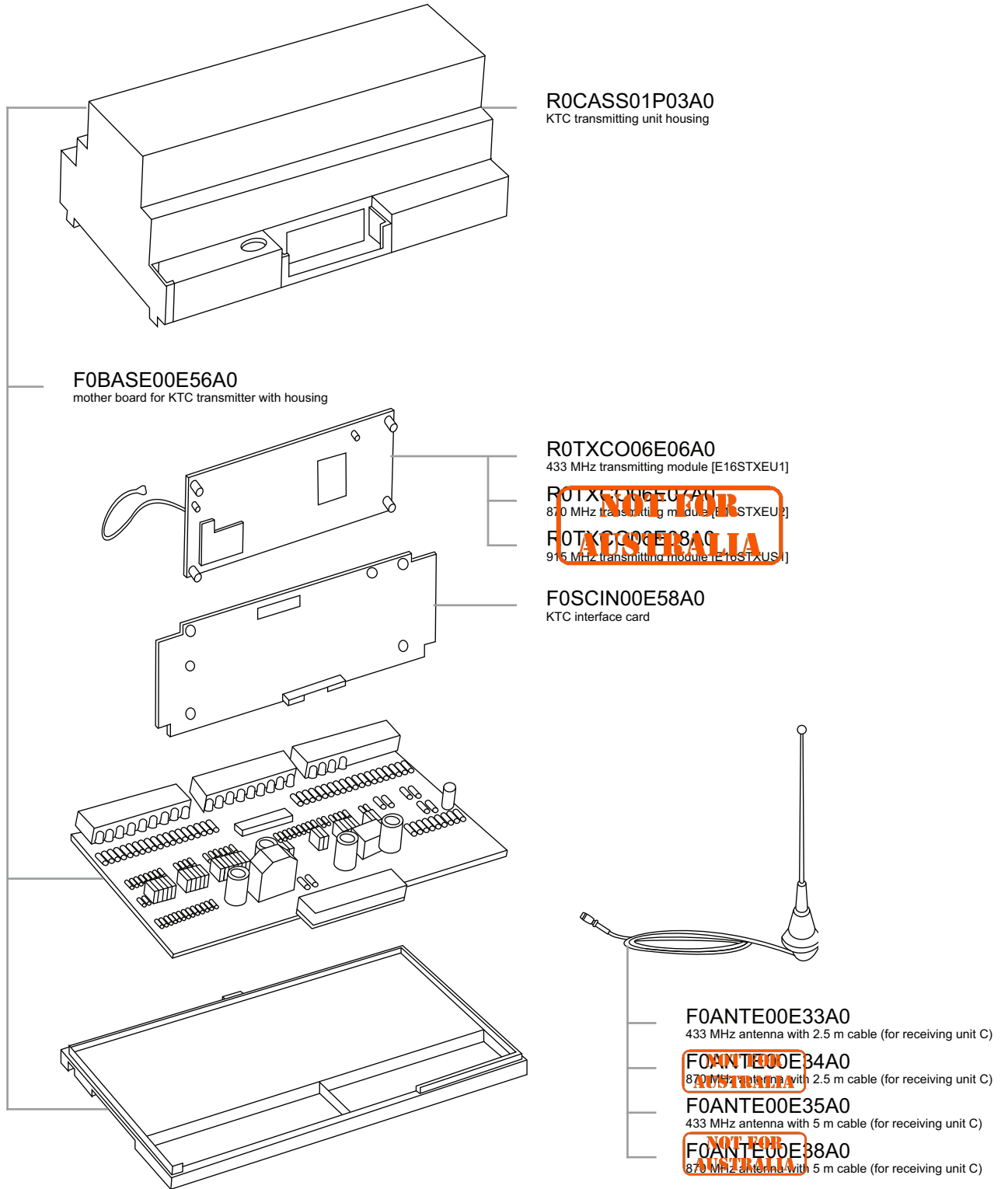


Spare parts of Condor E transmitting unit

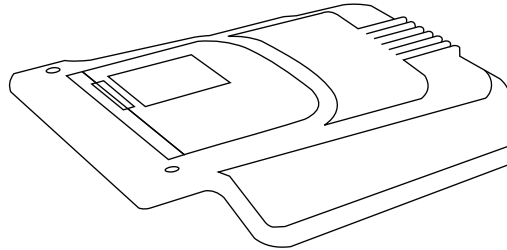


ROTXCO06E07A0
870 MHz transmitting module [E16STXEU2]
ROTXCO06E07A0
AUSTRALIA

Spare parts of KTC transmitting unit



Spare parts of receiving unit B



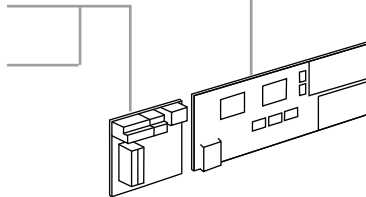
R0RXDE06E06A0
433 MHz receiving module [E16SRXEU1]

R0RXDE06E07A0
810 MHz receiving module [E16SRXEU2]

NOT FOR AUSTRALIA

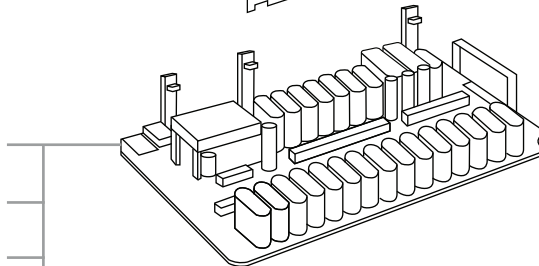
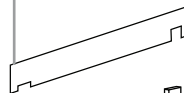
F0ESBA*****
optional card

G0ESBA*****
optional card
(report radio remote control serial number
or the description provided on the component)



R0CASS*****
casing
(always report the radio remote
control serial number)

A0STAF00P0013
locking rod



F0BASE00E48A0
mother board for 16-command AC receiving unit [E16B16AC]

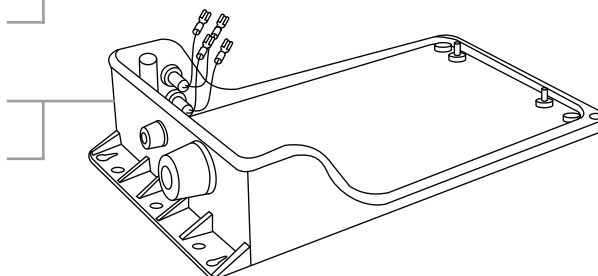
F0BASE00E49A0
mother board for 22-command AC receiving unit [E16B22AC]

F0BASE00E50A0
mother board for 22-command DC 24 receiving unit [E16B22DC]

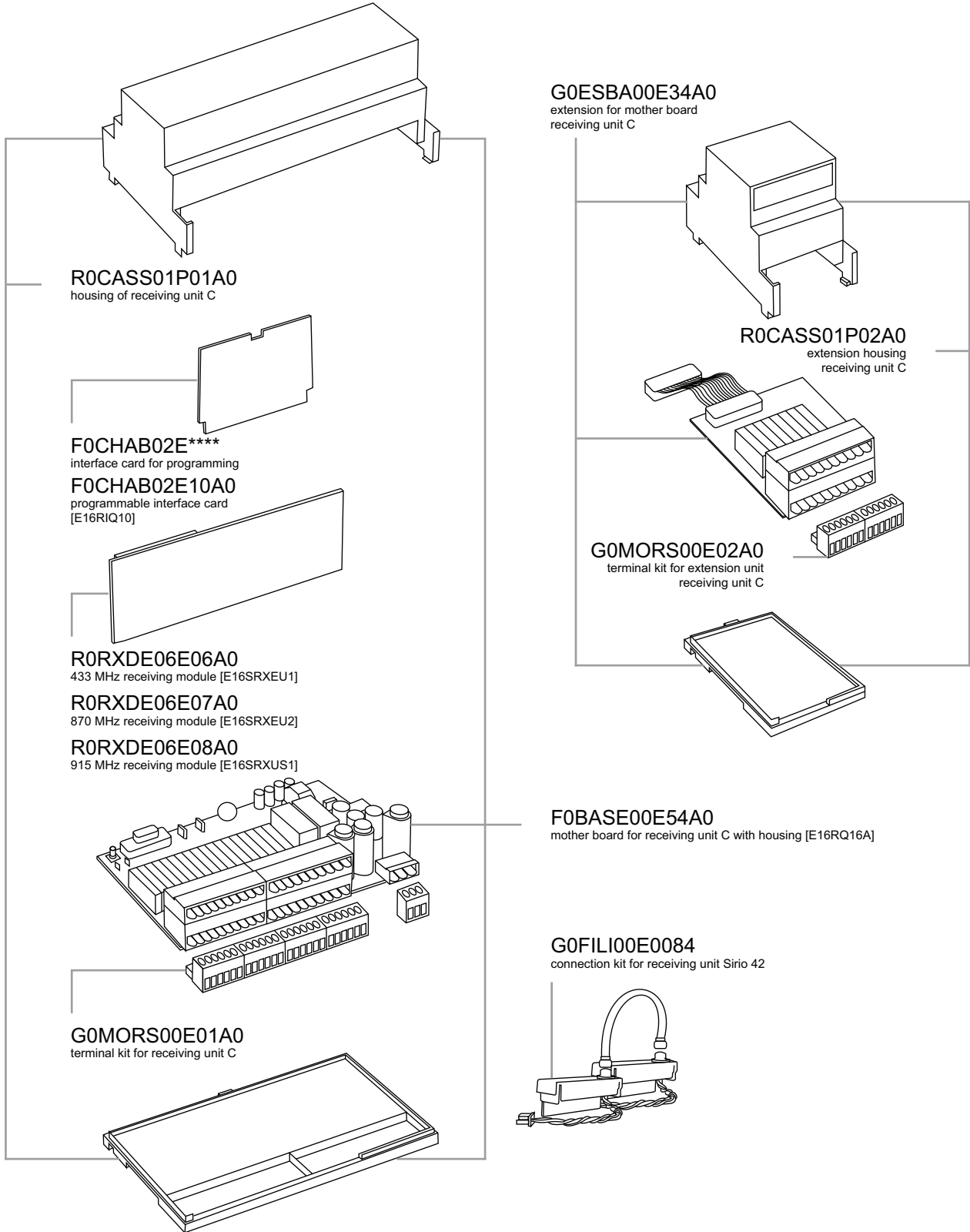
F0BASE00E51A0
mother board for 22-command DC 12 receiving unit [E16B22DC]

R0SPIE00E01A0
green LED 24V with 12 cm cable

R0SPIE00E02A0
green LED 12V with 12 cm cable



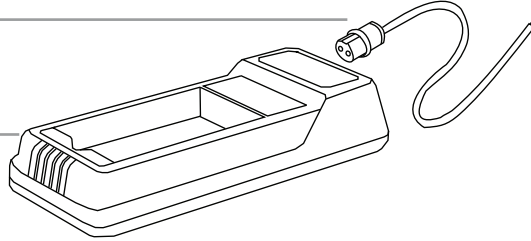
Spare parts of receiving unit C



Fittings spare parts

F0CAVI00E20A0
cable for battery charger [CAV-FW2PM]

R0CABA01E08A0
battery charger 9-30 VDC [UBC930D]

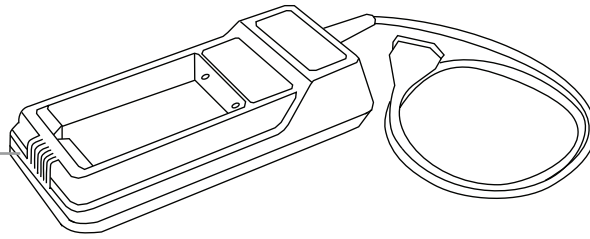


F0CABA01E02A0
NiCd battery charger 2.1V [FW263R]

F0CABA01E02N0
NiMH battery charger 230V [CH260R]

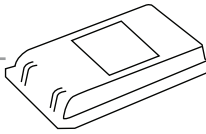
F0CABA01E05A0
NiCd battery charger 1.5V [FW263R]

F0CABA01E05N0
NiMH battery charger 115V [CH263R]



F0BATT00E01N0
NiCd battery 0.7Ah 7V [NC0707L]

F0BATT00E07A0
NiMH battery 1.3Ah 7V [MH0707L]



F0ANTE00E33A0
433 MHz antenna with 2.5 m cable (for receiving unit C)

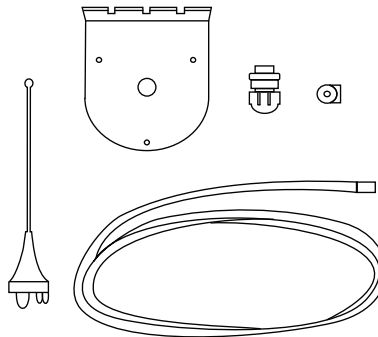
F0ANTE00E34A0
870 MHz antenna with 2.5 m cable (for receiving unit C)

F0ANTE00E35A0
433 MHz antenna with 5 m cable (for receiving unit C)

F0ANTE00E36A0
870 MHz antenna with 5 m cable (for receiving unit C)

G0ANTE00E29A0
433 MHz antenna with 5 m cable (for receiving unit B)

G0ANTE00E30A0
870 MHz antenna with 5 m cable (for receiving unit B)



G0LAMP00E04A0
blinker kit 48 Vac with bracket

