

FCR-006 rotary limit switch

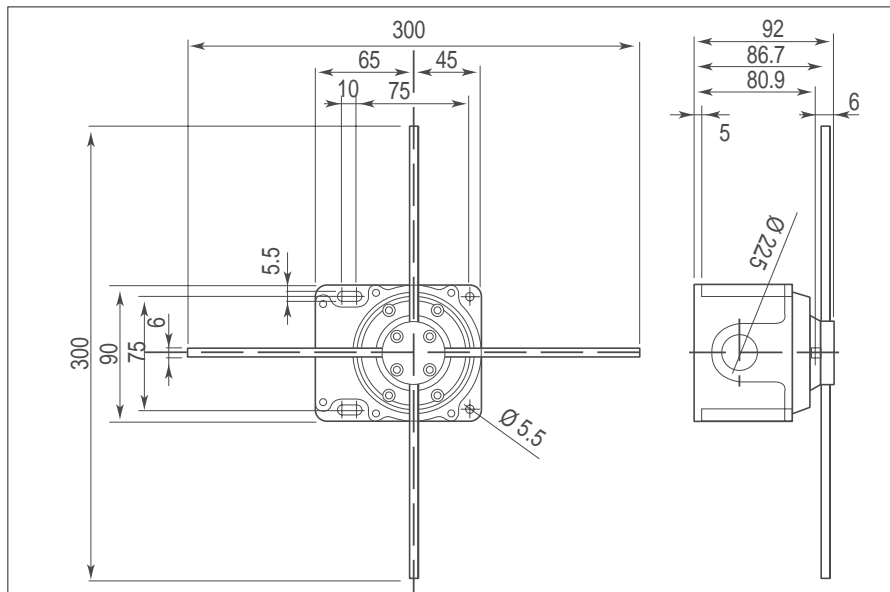


technical data

The FCR006 rotary limit switch provides slow-down and stop limiting for cranes and other travelling machines in a single compact, rugged housing.

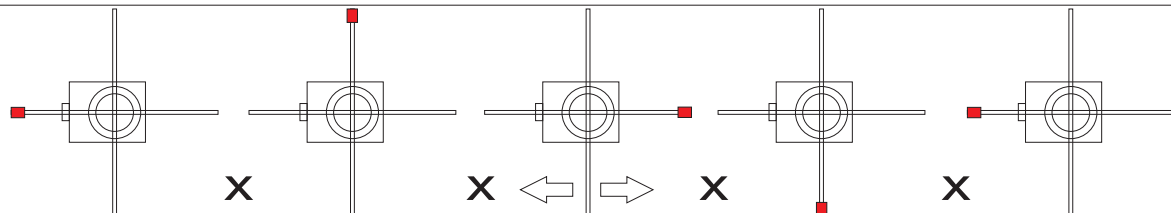
Four contacts are provided for slow-down and stop in each of two directions, replacing 4 traditional limit switches, and dramatically reducing fitting time and cost.

Installation is simple, with a single switch, and up to four strikers. The long arm length means that alignment is fast and easy.



- Double-insulated enclosure in self-extinguishing material
- Protected to IP65, terminals IP20
- Operating Temperature -25°C to +70°C
- Cable entry: 1 x 22.5mm
- Mechanical life: 1 million operations
- Thermal rating 16A
- Maximum operating voltage 600V
- Insulation category C
- Double-gap positive-break contacts with slow action

electrical switching



CONTACTS	1-2	3-4	5-6	7-8
1-2				
3-4				
5-6				
7-8				